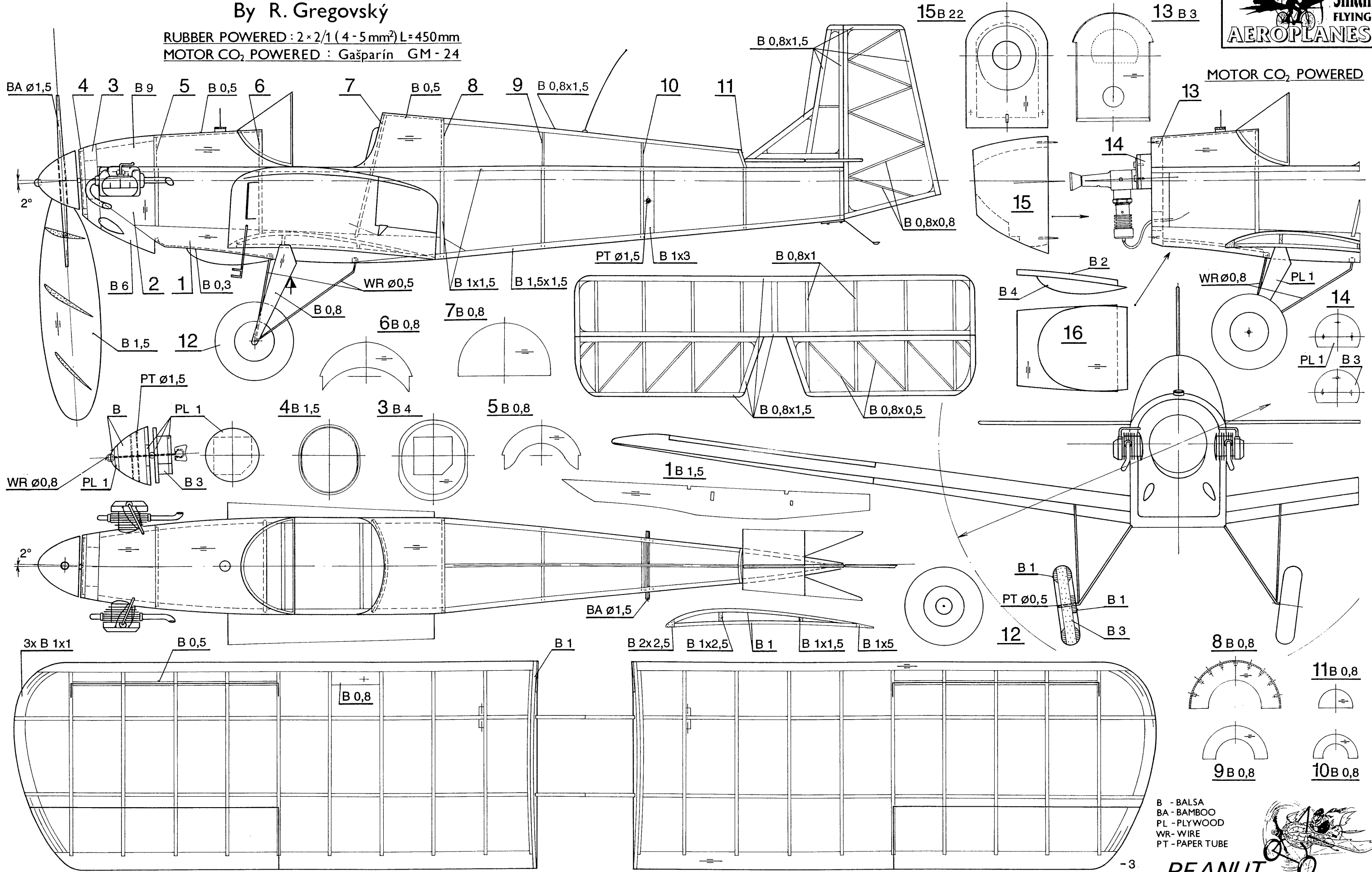


ROLLASON D.31 TURBULENT

By R. Gregovský

RUBBER POWERED : $2 \times 2/1$ (4-5 mm²) L=450mm

MOTOR CO₂ POWERED : Gašparín GM-24



MOTOR CO₂ POWERED

B - Balsa
BA - BAMBOO
PL - PLYWOOD
WR - WIRE
PT - PAPER TUBE

PEANUT

