

SHEET Balsa TIP ALTERNATE TYPE TO LAMINATED FORM AS SHOWN IN OPPOSITE WING. DITTO FOR STABILIZER/ELEVATOR

HISTORY: THIS IS ONE IN A SERIES OF MOSQUITOS BY FARMAN MANUFACTURED DURING THE YEARS 1919-1936. EACH TYPE WAS DIFFERENT IN APPEARANCE, AND POWERPLANTS INCLUDED 2-CYLINDER OPPOSED, 3-CYL. RADIAL, 4-CYL. OPPOSED, AND IN-LINE VARIETIES.

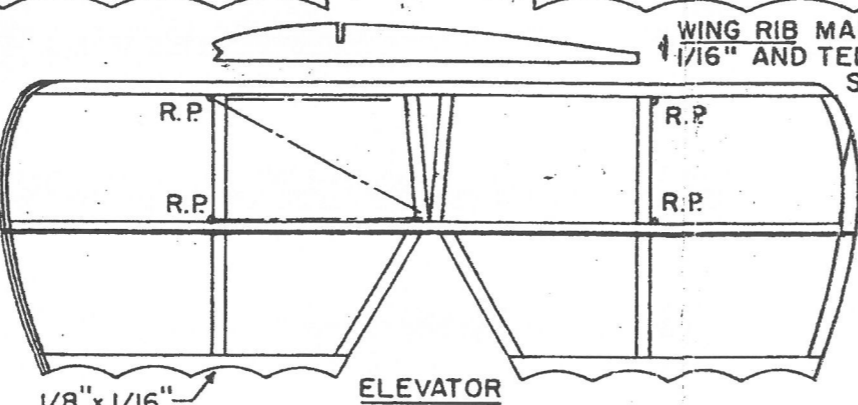
1/8" x 1/16" TRAILING EDGE SCALLOPS ARE SANDED IN

AILERON OUTLINE

THE PROTOTYPE MODEL WAS FLOWN WITH A MARLOW Balsa PROPELLER AND ONE LOOP OF 1/16" RUBBER.

DEDICATED TO JACQUES POULIQUEN

SPECIAL THANKS TO BILL WARNER AND JOHN UNDERWOOD FOR RESEARCH MATERIAL!

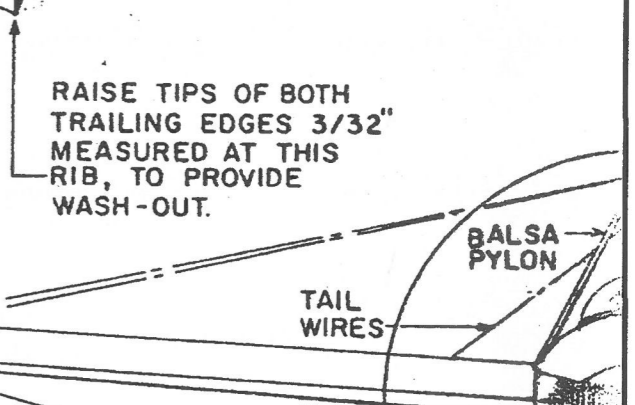


WING RIB MAKE TWO OF 1/16" AND TEN OF 1/32" SHEET

ROLLED PAPER TUBE RIGGING GUIDE USED FOR ALL RIGGING POINTS IDENTIFIED R.P.

NOTE: WING TIP IS RAISED 1/16" DURING CONSTRUCTION

SECOND TEST MODEL USED A 4 1/8" DIAMETER PLASTIC "SKEETER" PROPELLER AND 2 MM RUBBER.

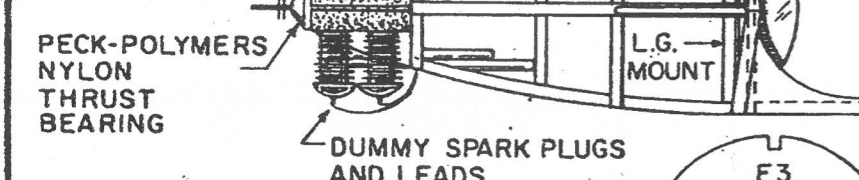


ALL RIGGING IS SILK THREAD

ALL STRUCTURE IS Balsa EXCEPT AS NOTED.

BASIC STRUCTURE IS 1/16" SQUARE FOR INDOOR MODEL, USE 1/20" SQ.

NOTE THAT THIS PAIR OF CYLINDERS ARE OFFSET TO REAR.

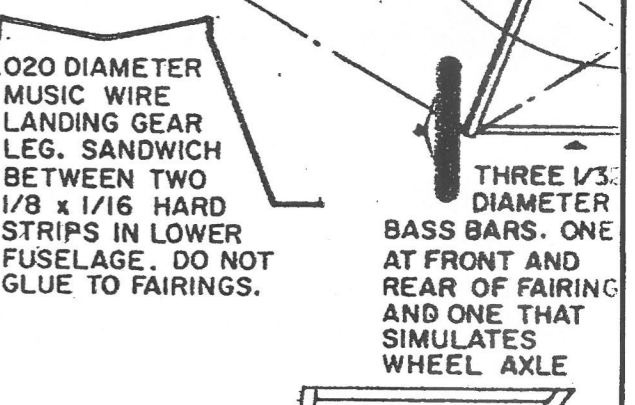
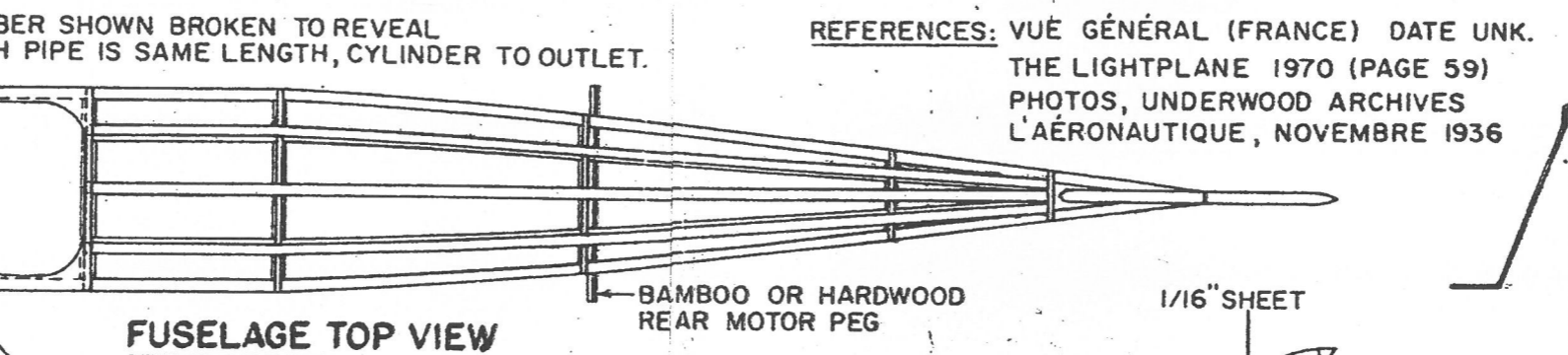
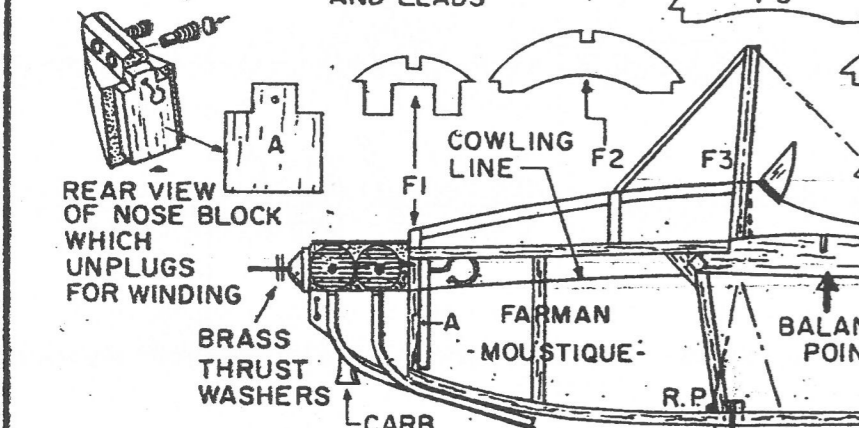


COVER COCKPIT AREA AND UPPER NOSE WITH 1/32" SHEET Balsa. USE SECTIONS ON COMPOUND CURVES.

PROOF-OF-SCALE SHEET AVAILABLE FOR 35 CENTS

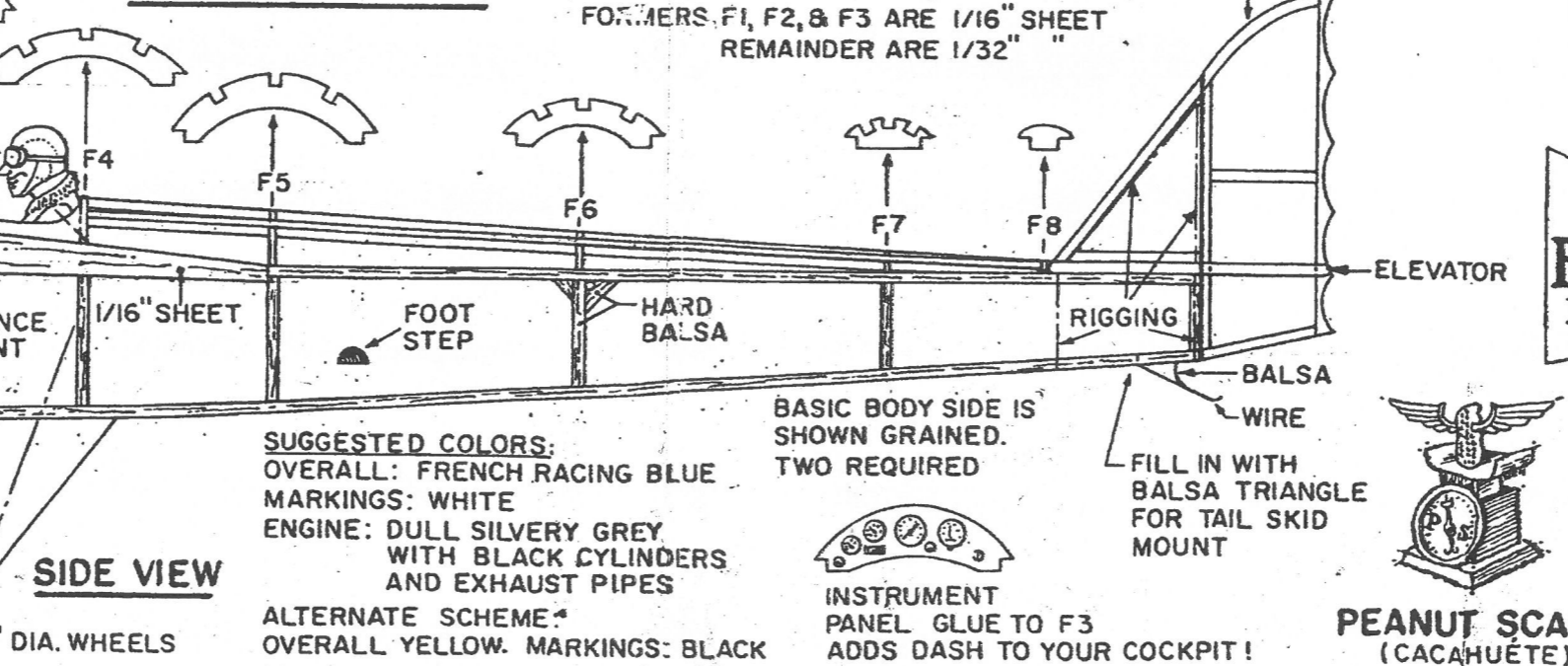
3/8" DIHEDRAL, EACH SIDE MEASURED AT TIP RIB

REFERENCES: VUE GÉNÉRAL (FRANCE) DATE UNK. THE LIGHTPLANE 1970 (PAGE 59) PHOTOS, UNDERWOOD ARCHIVES L'AÉRONAUTIQUE, NOVEMBRE 1936



REAL AIRCRAFT WAS POWERED BY A 25 hp AVA TWO-CYCLE ENGINE.

FOR THE MODEL, USE 3/8" SCALE WILLIAMS BROTHERS DUMMY CYLINDERS PLUGGED INTO Balsa CRANKCASE. HEADS ARE SCRAP PLASTIC.



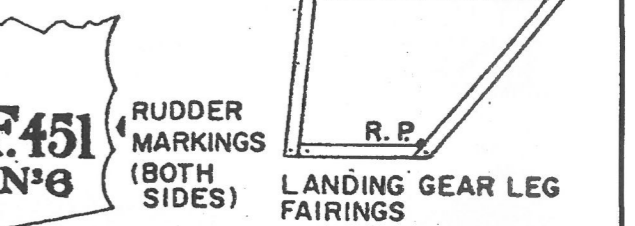
SUGGESTED COLORS: OVERALL: FRENCH RACING BLUE MARKINGS: WHITE ENGINE: DULL SILVERY GREY WITH BLACK CYLINDERS AND EXHAUST PIPES

ALTERNATE SCHEME: OVERALL YELLOW. MARKINGS: BLACK

BASIC BODY SIDE IS SHOWN GRAINED. TWO REQUIRED

INSTRUMENT PANEL GLUE TO F3 ADDS DASH TO YOUR COCKPIT!

FILL IN WITH Balsa TRIANGLE FOR TAIL SKID MOUNT



1936 FARMAN "MOUSTIQUE" (MOSQUITO)

DRAWN BY W.C. HANNAN

© 1974 W.C. HANNAN

PEANUT SCALE (CACAHUÉTÉ)