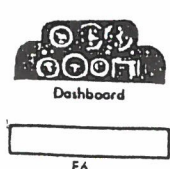
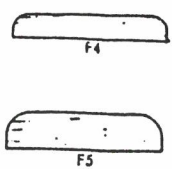
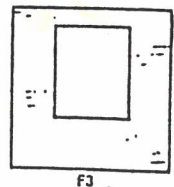
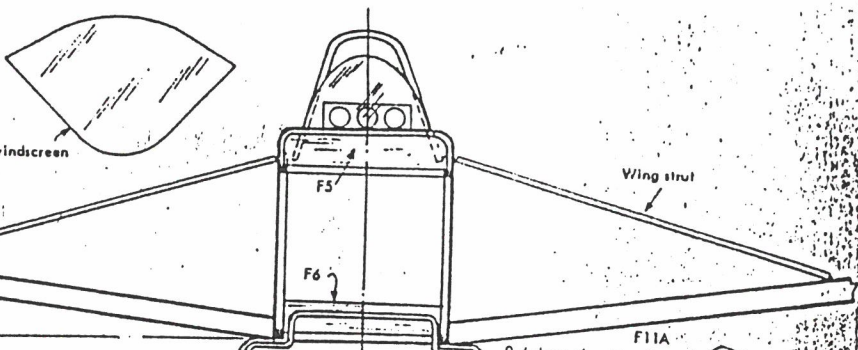
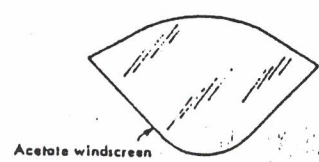
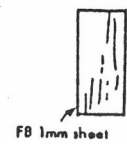


VOLKSPLANE

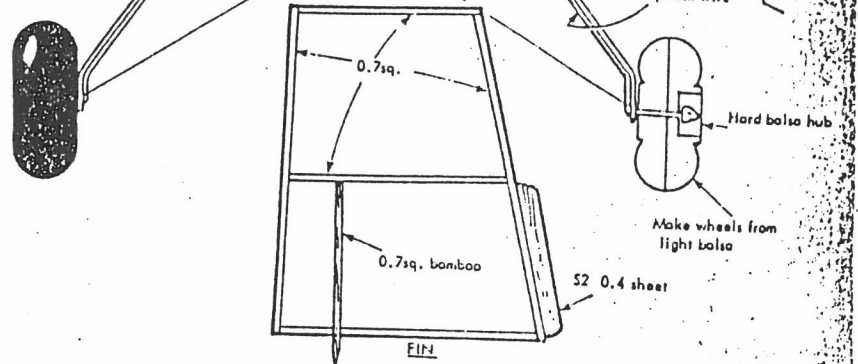
Peanut Scale
by S. Glöckner



COLOURS
White
Doped wood
Red

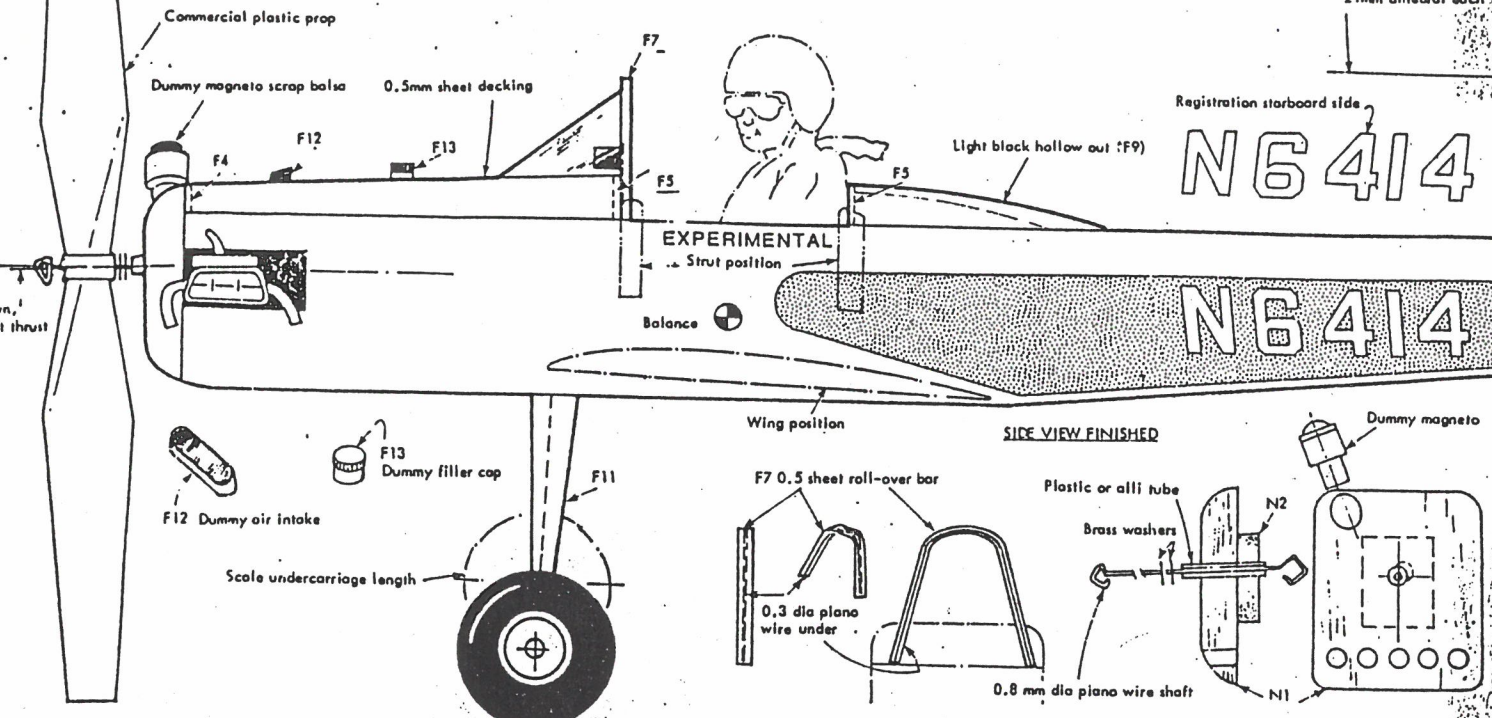


FRONT VIEW



FIN

F11A 0.6 sheet



SIDE VIEW FINISHED

Dummy magneto

F10 rear motor png
2mm dia hardwood

F12 Dummy air intake

F13 Dummy filler cap

F11

Wing position

F7 0.5 sheet roll-over bar

Plastic or alli tube

Brass washers

N2

N1

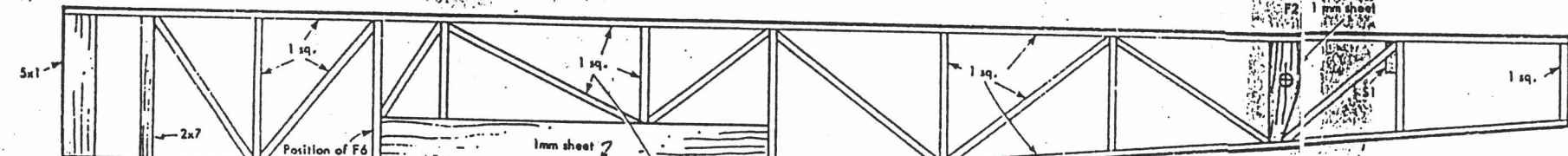
0.8 mm dia piano wire shaft



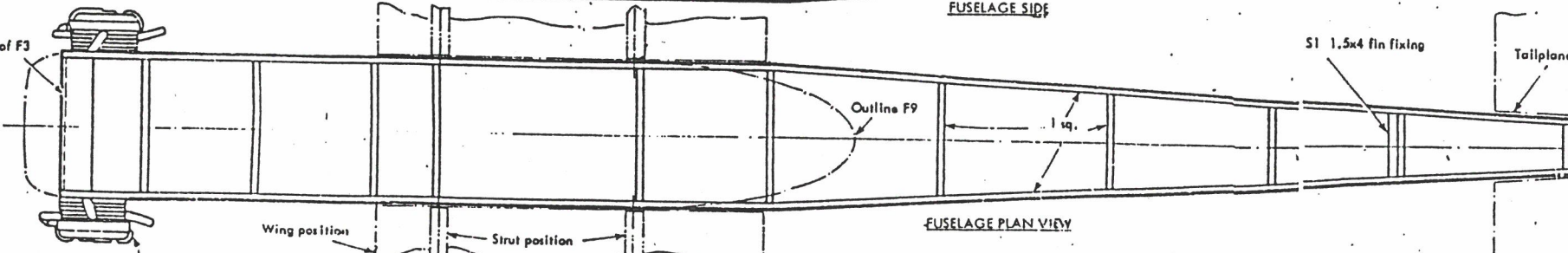
N2 3mm sheet to fill



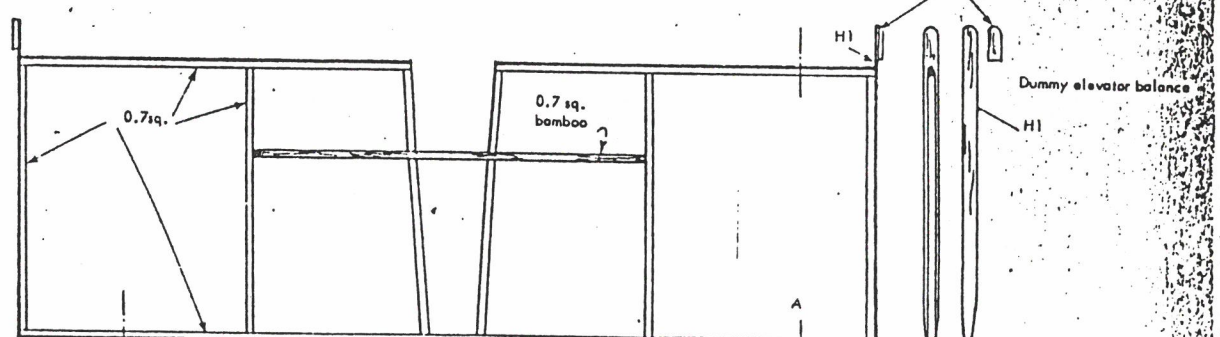
For 6-7g. model, use one loop of 1x1.5 rubber 300mm long



FUSELAGE SIDE



FUSELAGE PLAN VIEW

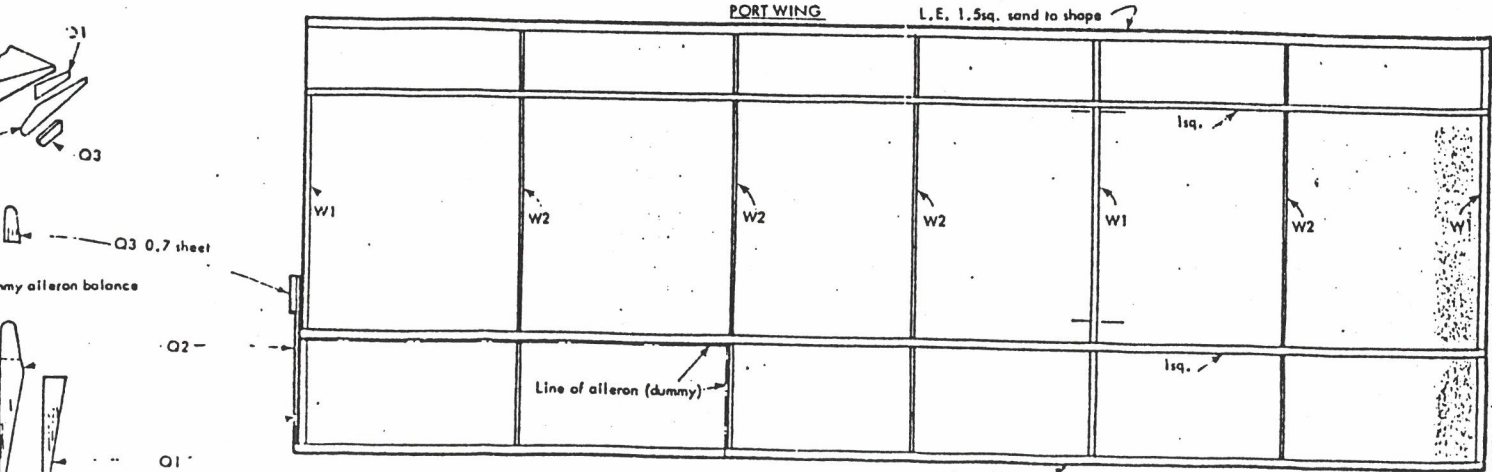


TAILPLANE

SECTION A-A

0.3 dia. piano wire under

Struts 0.4 sheet



PORT WING

L.E. 1.5sq. sand to shape



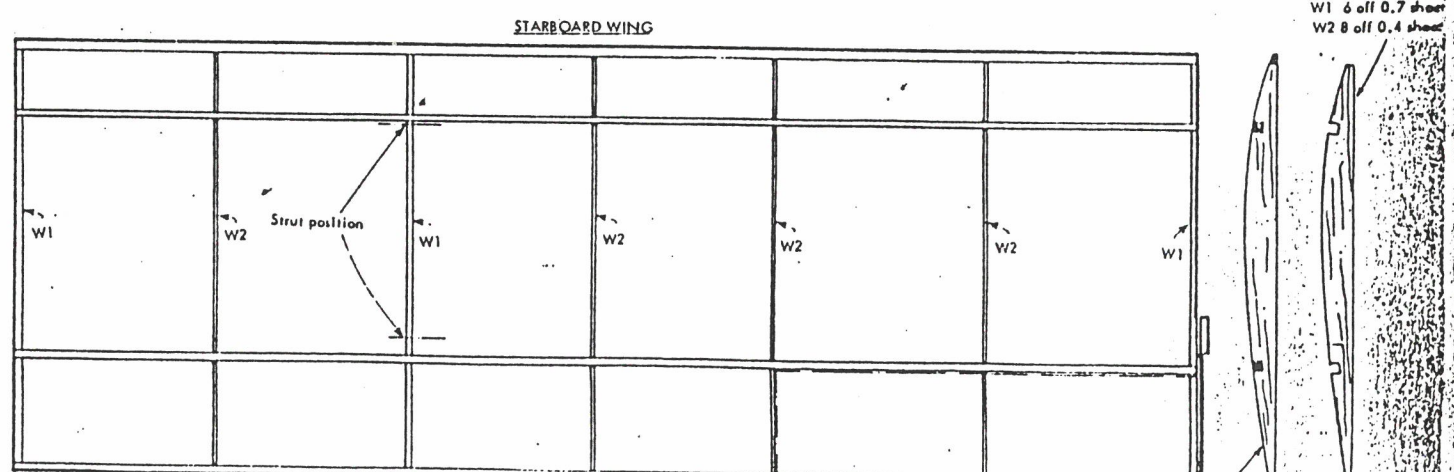
O3 0.7 sheet

Dummy aileron balance

O2

O1

0.4 sheet



STARBOARD WING

W1 6 off 0.7 sheet

W2 8 off 0.4 sheet

TYPICAL WING SECTION

ALL WOODS ARE BALSA UNLESS OTHERWISE STATED

ALL DIMENSIONS IN MILLIMETRES