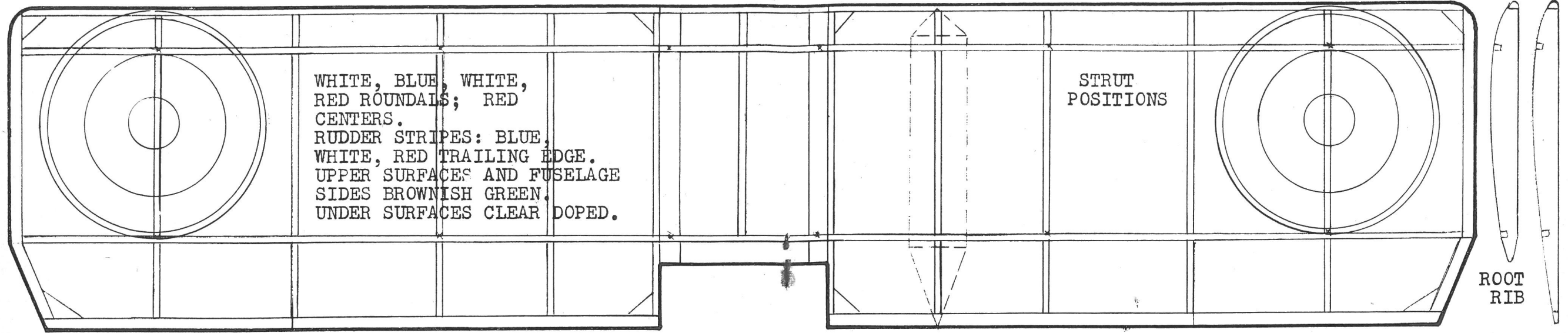
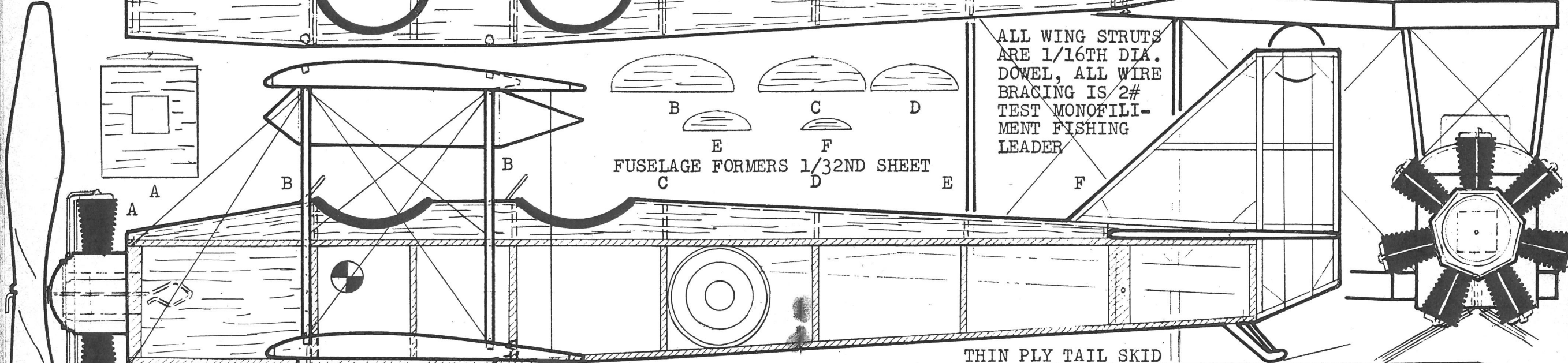
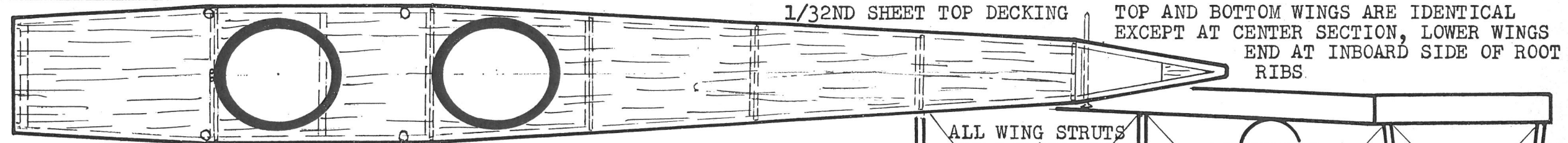


WING TIP 1/8TH SQUARE, LEADING AND TRAILING EDGES 1/16TH by 1/8TH, SPARS 1/16TH SQUARE, ROOT RIBS 3/16TH SHEET, OTHER RIBS 1/16TH SHEET.



FORMER A  
 1/8TH SHEET &  
 1/16TH.



SEVEN SIDED BLOCK Balsa  
 DUMMY MOTOR CRANK-CASE, WILLIAMS BROS. CYLINDERS AND PLASTIC THRUST BEARING.  
 PLASTIC PROPELLER.

FUSELAGE SIDE FRAMES SHOWN HATCHED.  
 MAIN LANDING GEAR LEGS ARE MADE FROM THIN PLY. AXLE WIRE TAKES LOADS AND IS SHOCK ABSORBING.

TAIL STRUCTURE IS 1/16TH SQUARE STICKS WITH 1/16TH SHEET GUSSETS. WRAPPED BOND PAPER FUEL TANK. 1 1/4 DIA. WMS. BROS. WW I WHEELS  
 Peanut Scale  
 B.A.T. BABOON

By *Walt Mooney*

