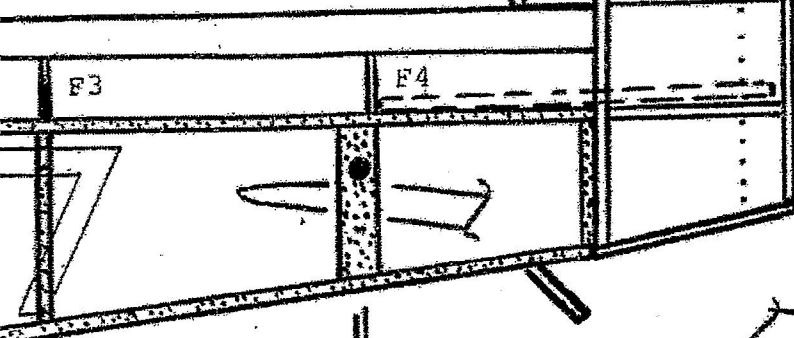
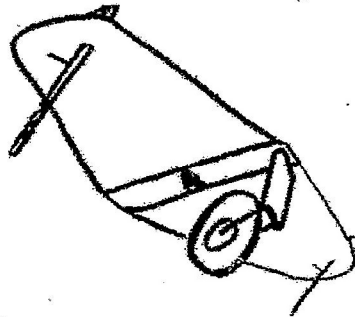


C.E.R.V.I.A.

est from soft block.

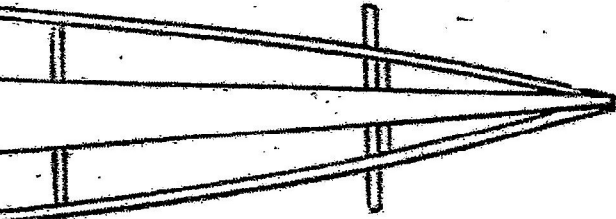


y Blue with  
s and numbers.  
(June 1933).



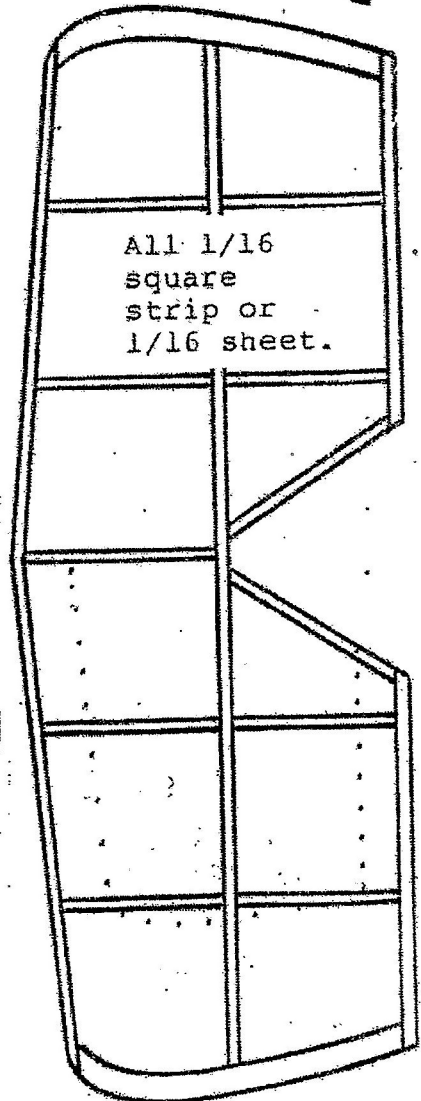
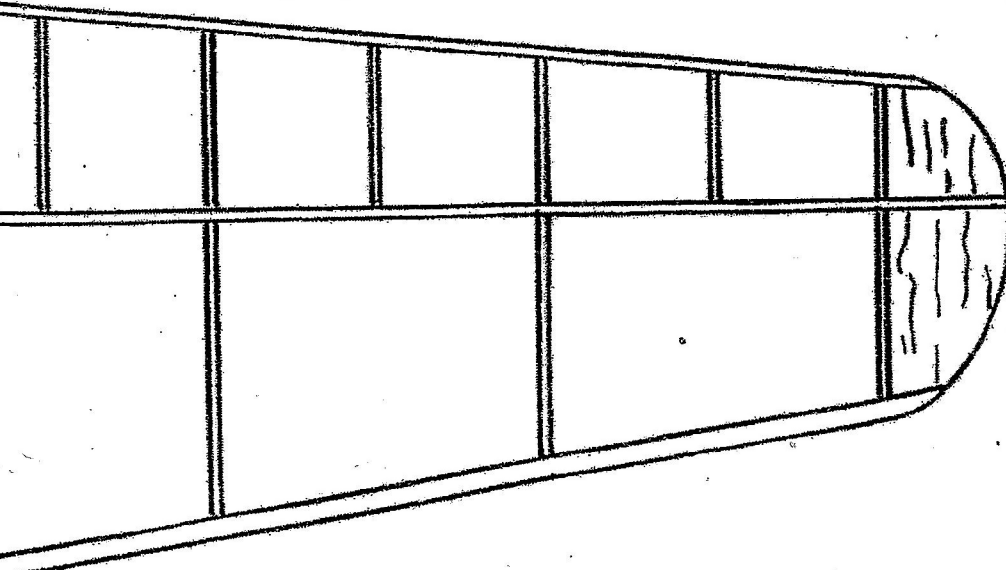
Scale tail surfaces shown  
as dotted lines - try  
them at you're own risk!  
Horizontal tail should  
be set a 2-3 degrees  
negative incidence.

Note arrangement  
of single u/c  
wheel and wing  
tip skids.



# FARMAN F. 380

A 1930's French Racing plane drawn as  
a 'Peanut Scale' rubber-powered  
flying model by Tim Hayward-Brown.



All 1/16  
square  
strip or  
1/16 sheet.