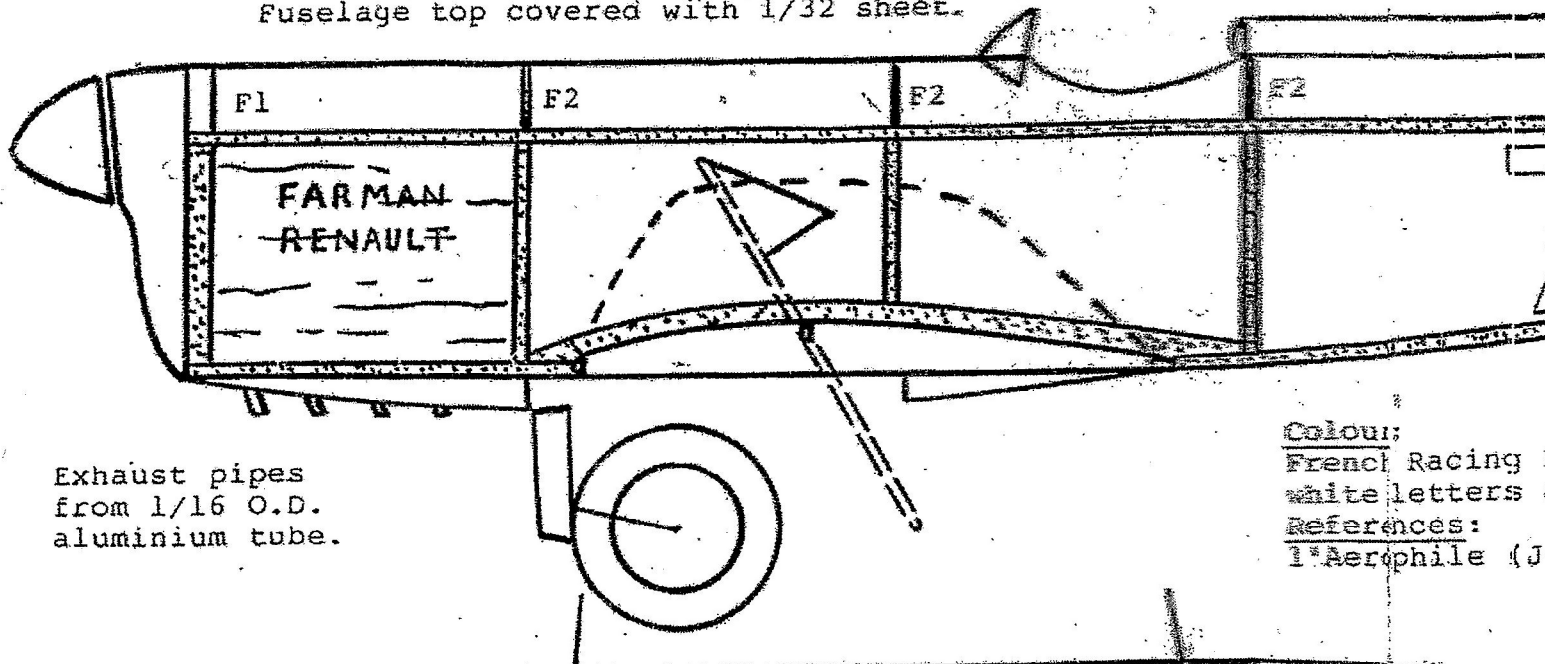


All longerons and spacers
from 1/16 square strip.

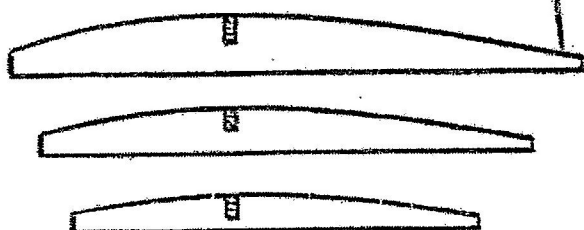
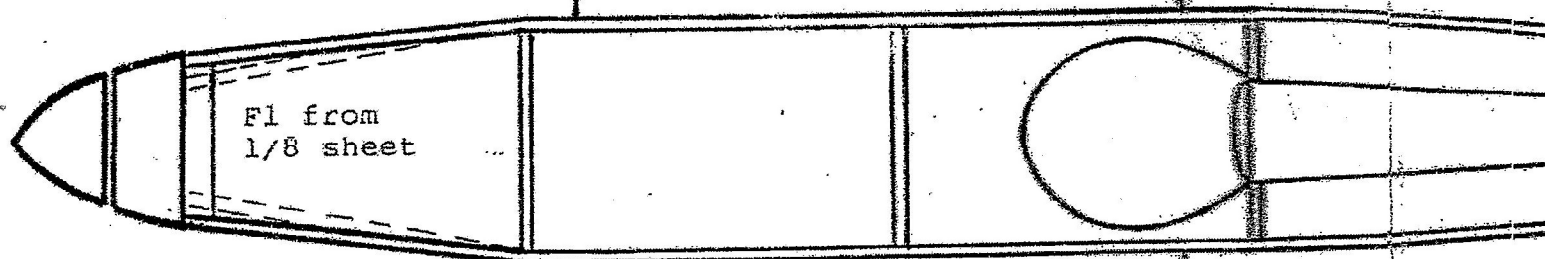
Carv headres

Fuselage top covered with 1/32 sheet.



Exhaust pipes
from 1/16 O.D.
aluminium tube.

Colour:
French Racing
white letters
References:
L'Aerophile (J)



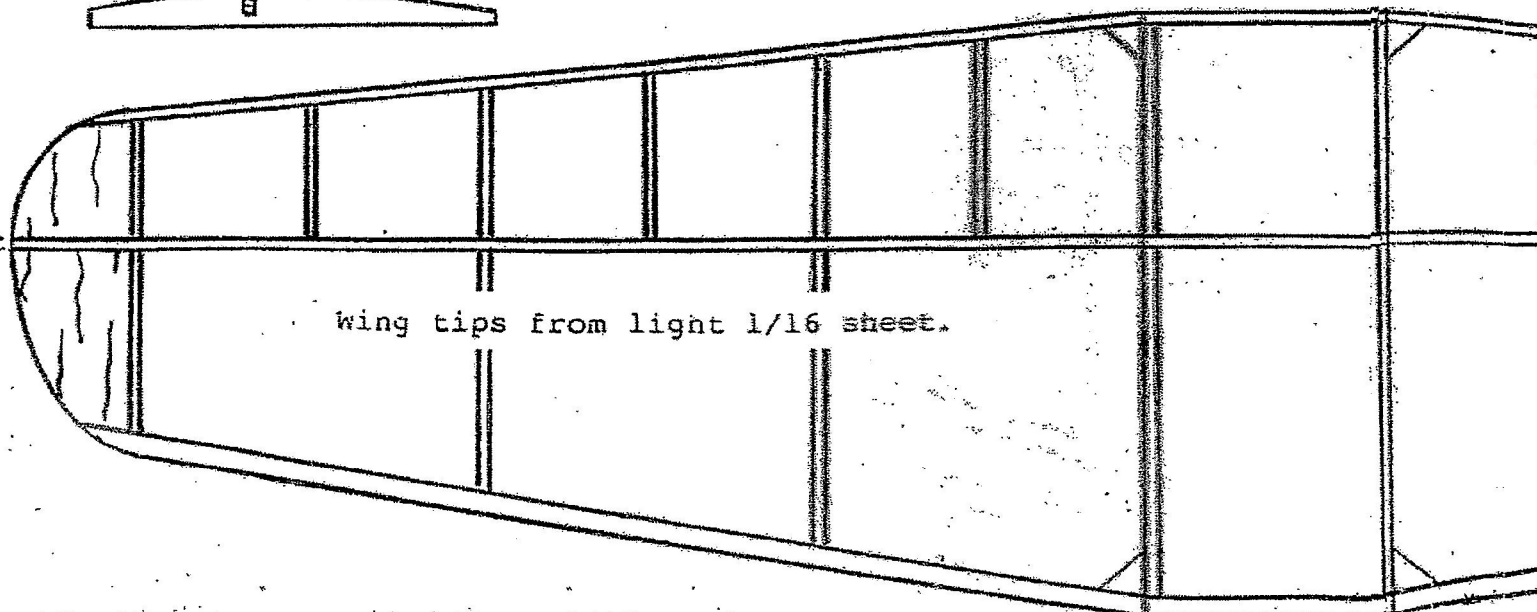
F1

F2 (3 off)

F3

F4

wing tips from light 1/16 sheet.



LE, IE and spar all 1/8 by 1/16 strip.