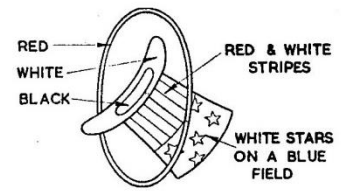
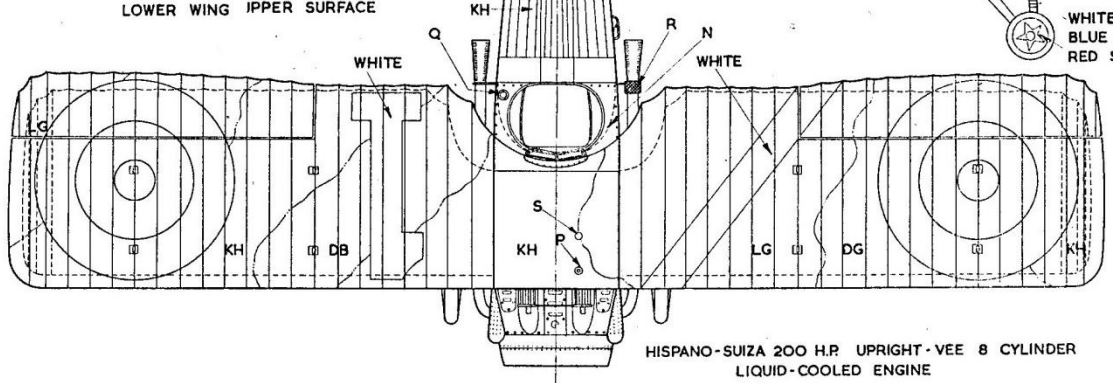
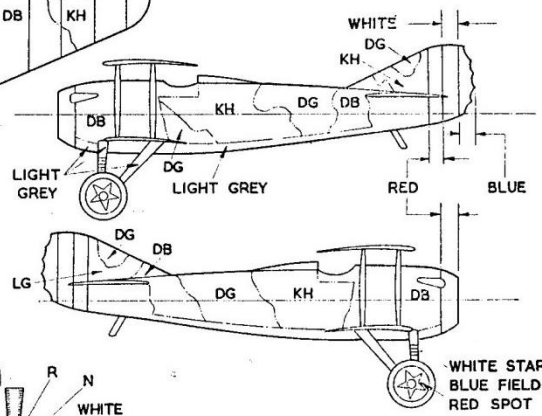
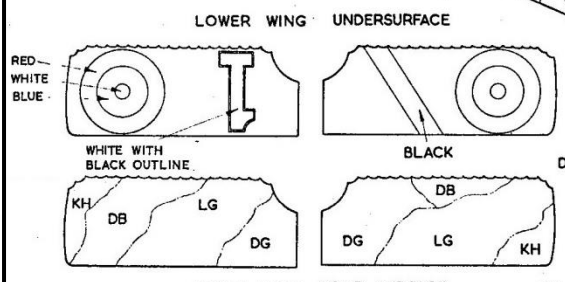


- COLOURING**
- ALL UNDERSURFACES - LIGHT GREY
  - STRUTS - EXCEPT U/C VARNISHED WOOD
  - DB - DARK BROWN
  - DG - DARK GREEN
  - LG - LIGHT GREEN
  - V - KHAKI



94 TH. PURSUIT SQUADRON



HISPANO-SUIZA 200 H.P. UPRIGHT - VEE 8 CYLINDER LIQUID-COOLED ENGINE

SPAD S XIII C1

THE MACHINE SHOWN WAS FLOWN BY CAPT E. RICKENBACKER, COMMANDER OF 94 TH. PURSUIT SQUADRON