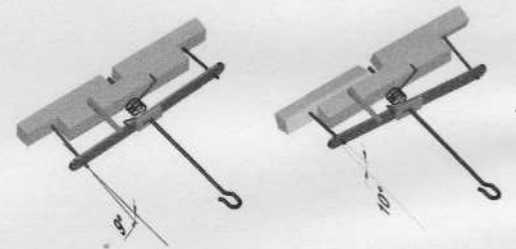
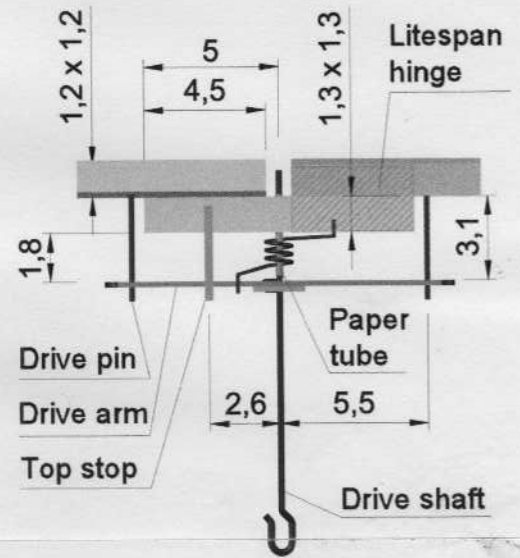
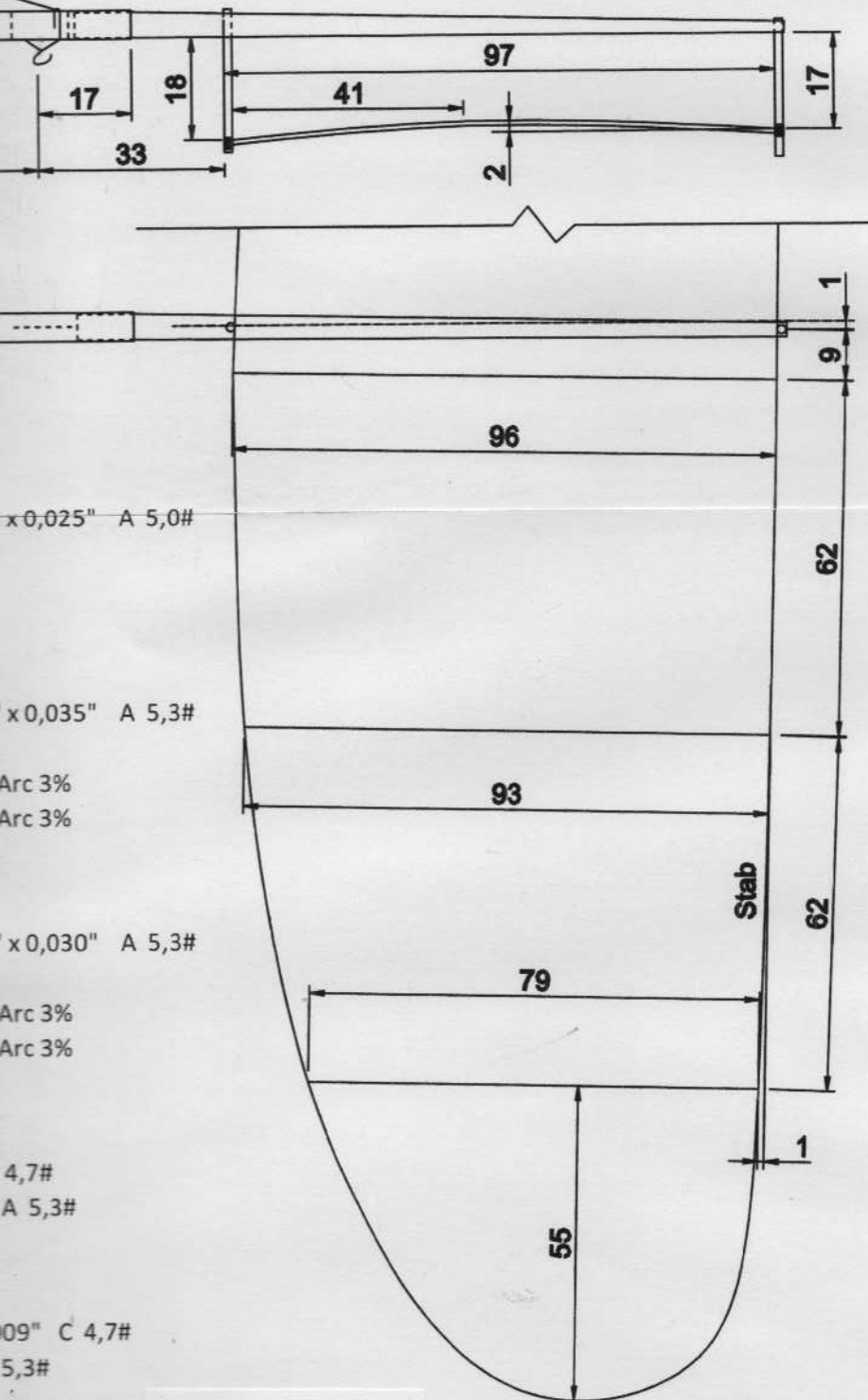


Front view



Low pitch

High pitch

V.P mechanism

- Drive shaft 0,254 mm wire
- Drive arm 1 x 0,25 mm carbon
- Drive pins 0,2 mm wire
- Top stop 0,2 mm wire
- Spring 3 turns 0,127 mm wire
Ø0,8 mm mandrel

QuasyTandem
Cat I. F1R 35 cm
Manuel Angel Díaz
Jun 2016