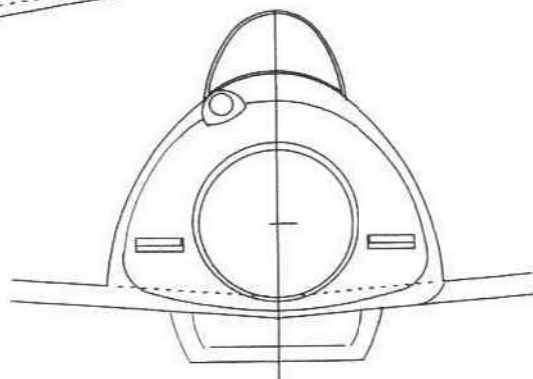
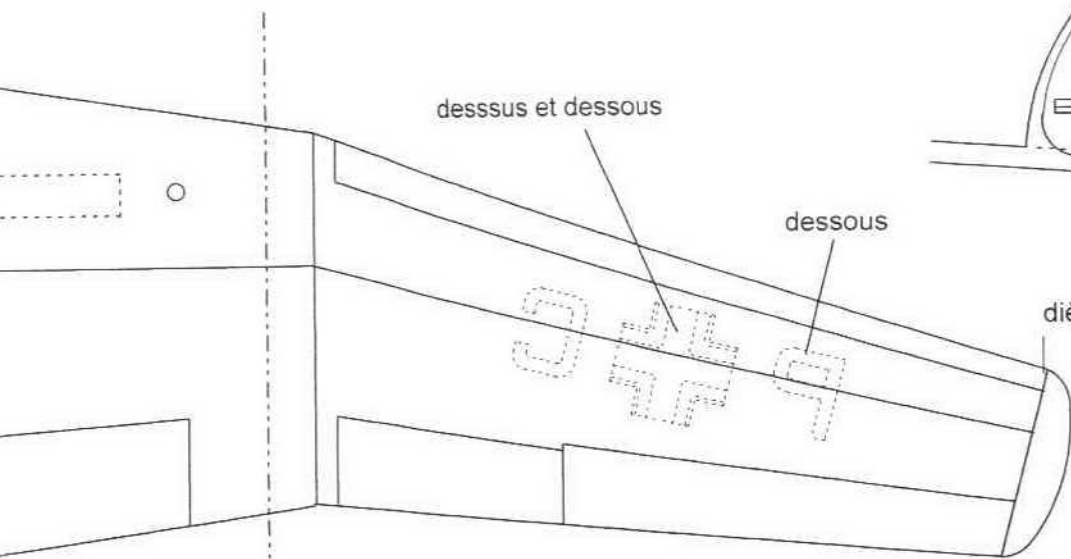
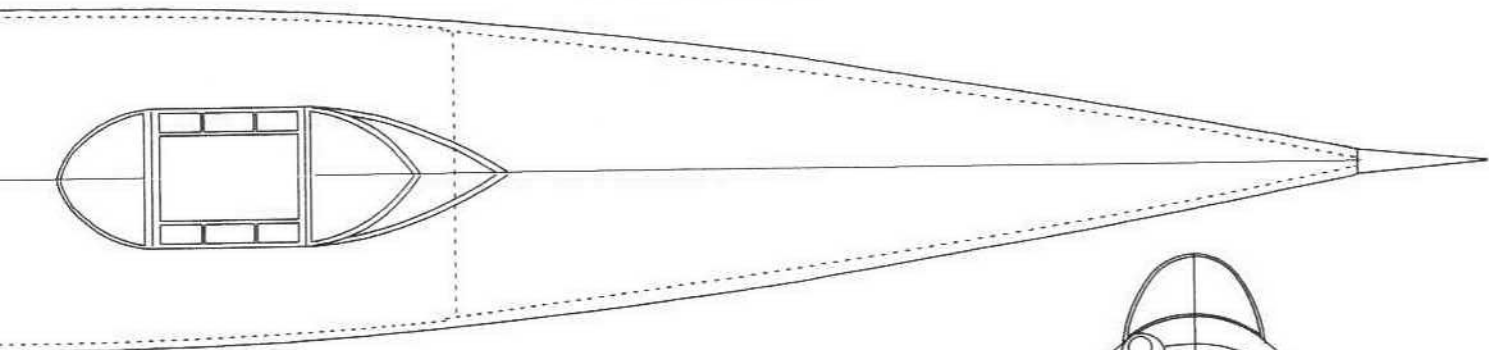
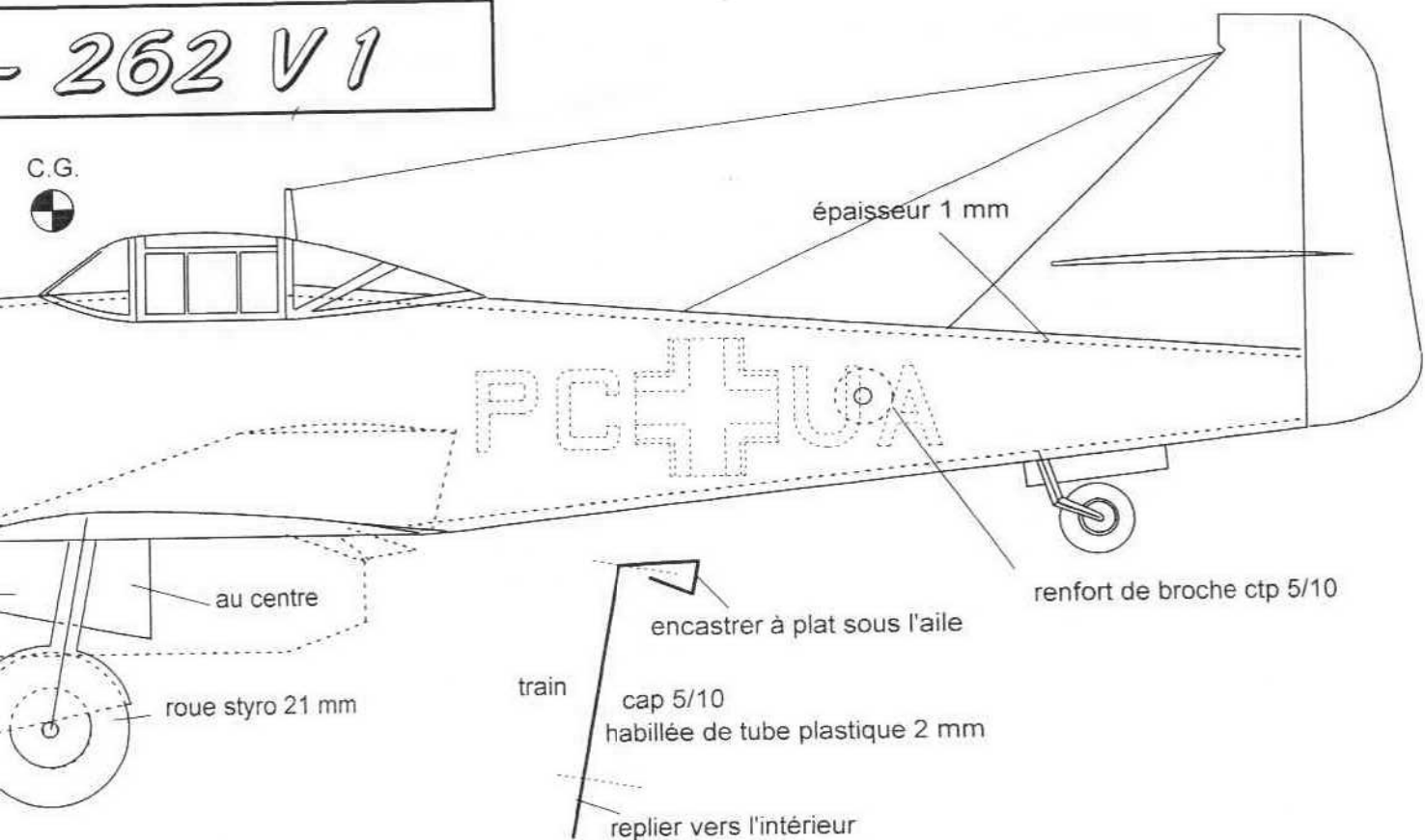


- 262 V 1

C.G.



Echelle mm

50

100

PC+UA