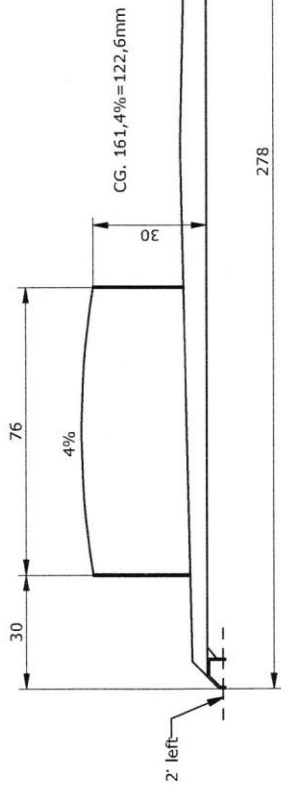
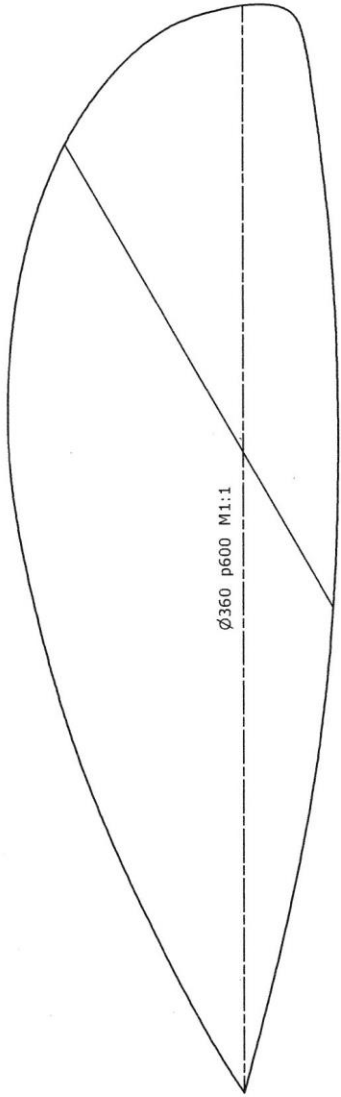
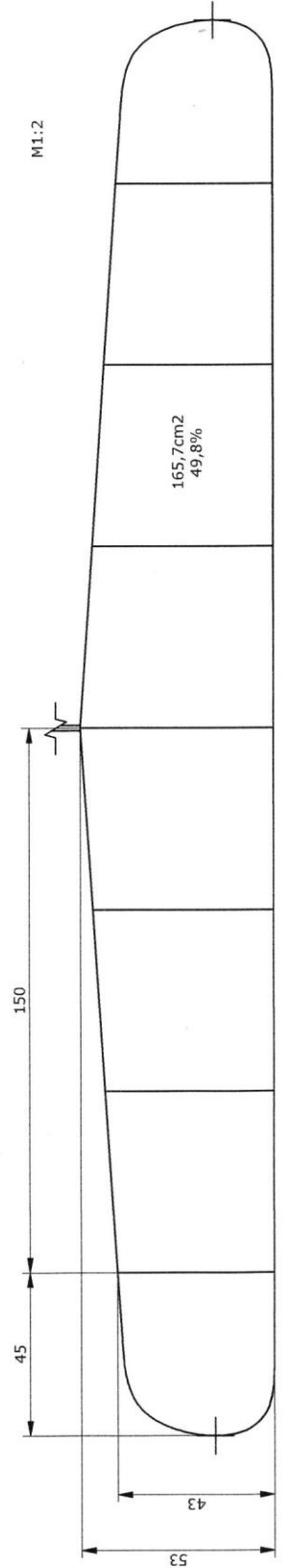
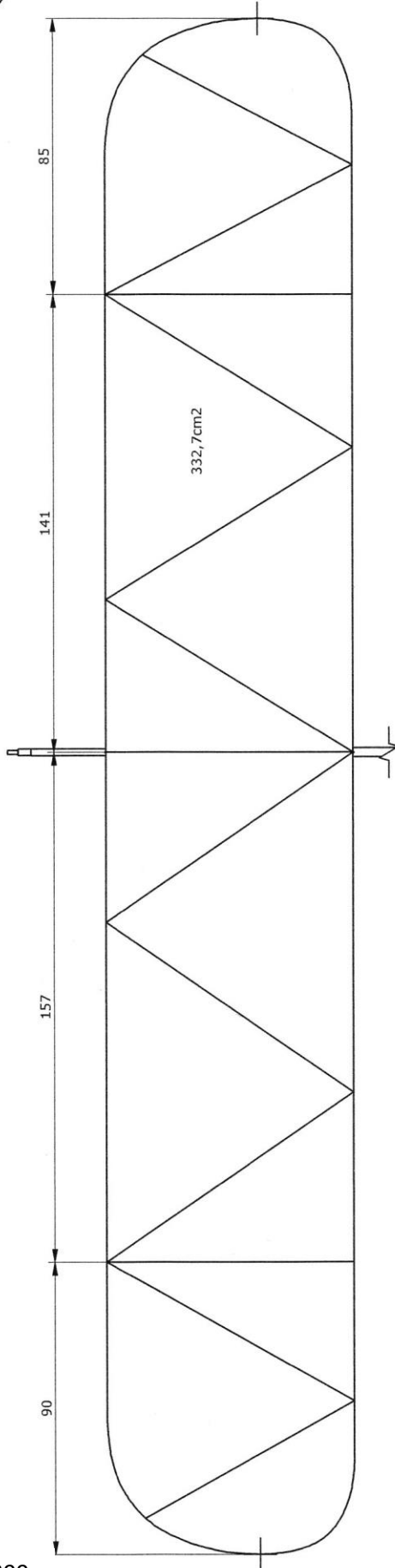
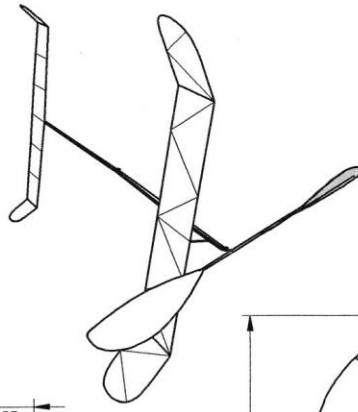
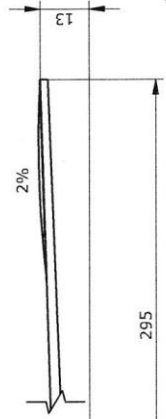


back view M1:4



CG. 161,4%=122,6mm

2' left



M1:2

Weights:	
	mg
Wing	220
Stick	495
Stab+tail	207
Prop	254
Antenna	30
Total	1 206

Prop: D 360/P 600
 Rubber: 99/2 1,47g/m
 1166 mg 2600 turns

M 72 F1L

Dezso Orsovai – Hungary
 Budapest, BME, 7.15.2007.

World record: 20:45 II.cat