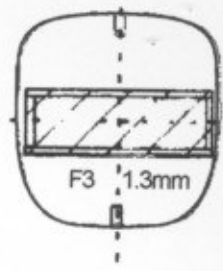
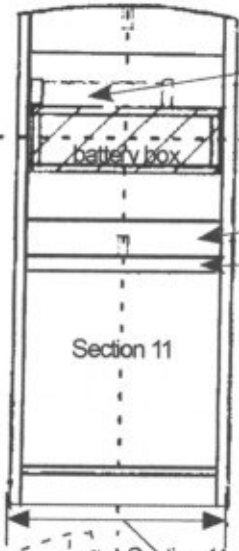
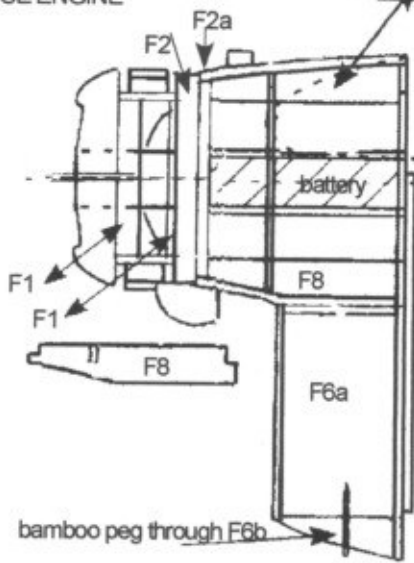
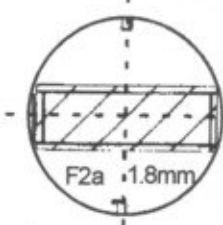


NOSE ENGINE



Balsa "hook" to hold trailing edge of wing to cross-piece at top of fuselage.



F2a glued cross-grain to F2

For each motor:  
1 @ 0.8 hard balsa backed with 0.5 ply: 1 @ 3mm med. hard balsa faced with 0.5 ply & glued to motor cowl.



Section 11

Section 11 must be good fit inside front of fuselage before covering nose etc. with balsa (and the nose must be removable afterwards).

Fuselage structure 1.3 x 1.3mm medium hard straight grain balsa.

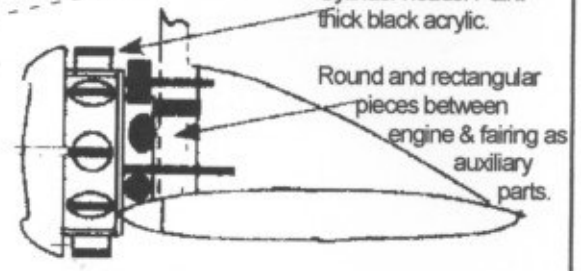
Fin & rudder 1.3 x 1.3



3 stringers over verticals outside but flush with adjacent pieces at both ends.

Disks of 1.6mm with a strip of 1x1 to represent Cylinder heads. Paint thick black acrylic.

Round and rectangular pieces between engine & fairing as auxiliary parts.



Straight steel dress pin.

1.6 x 3mm, straight grain, sanded to streamline section, covered with Jap tissue.