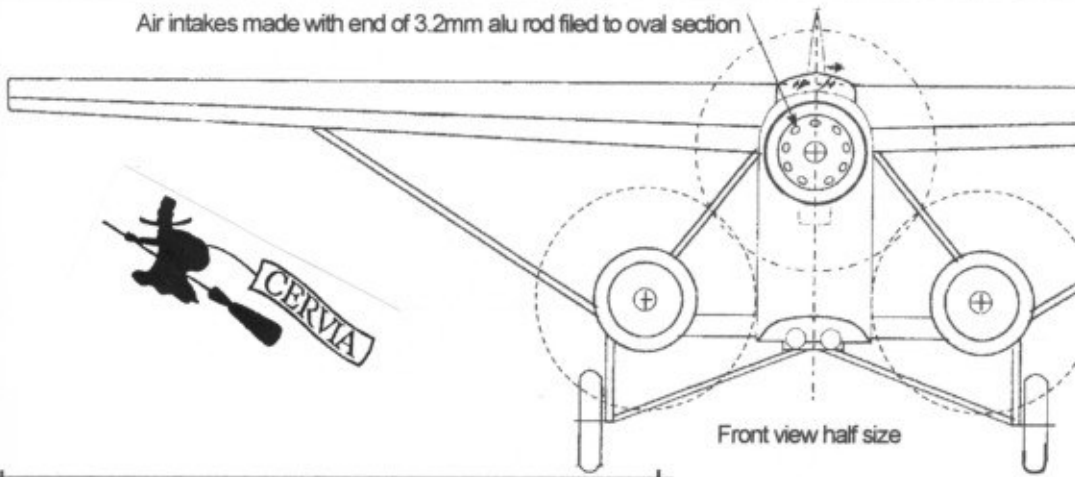


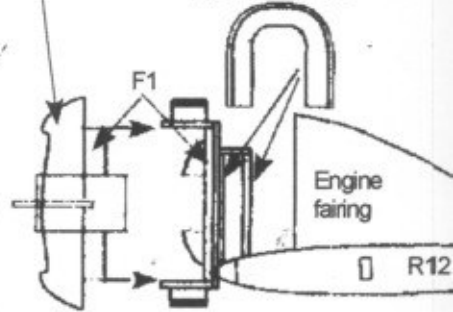
Air intakes made with end of 3.2mm alu rod filed to oval section



Engine cowls machined from soft balsa.

2 formers 1.3mm covered with 0.8

SIDE ENGINES



# FARMAN F121 JABIRU

free flight design by  
George Sneed

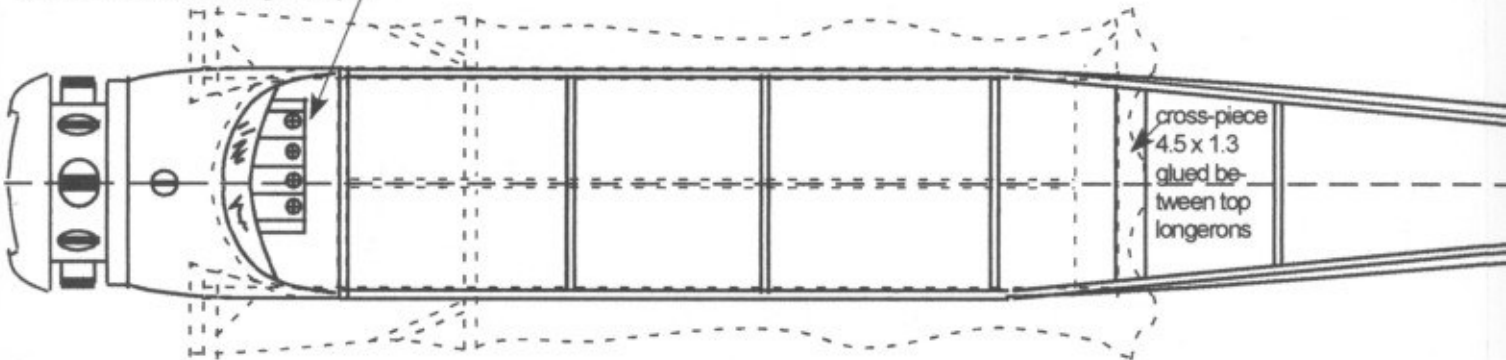
Three-engine electric free flight  
Zombie controlled.

SHEET 1

undercarriage from a  
single piece 0.65 piano wire

Horizontal lens  
engage with b  
pin in F6b

Zombie accessible through cockpit



Les cahiers de C.E.R.V.I.A.

