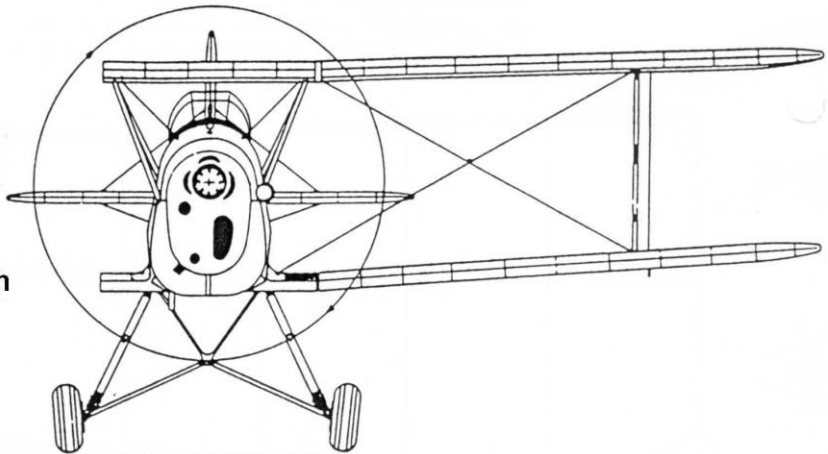
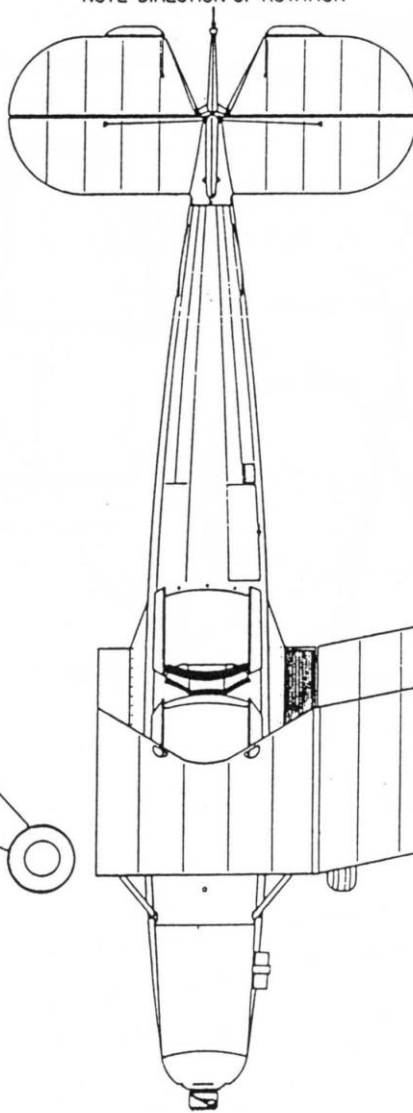
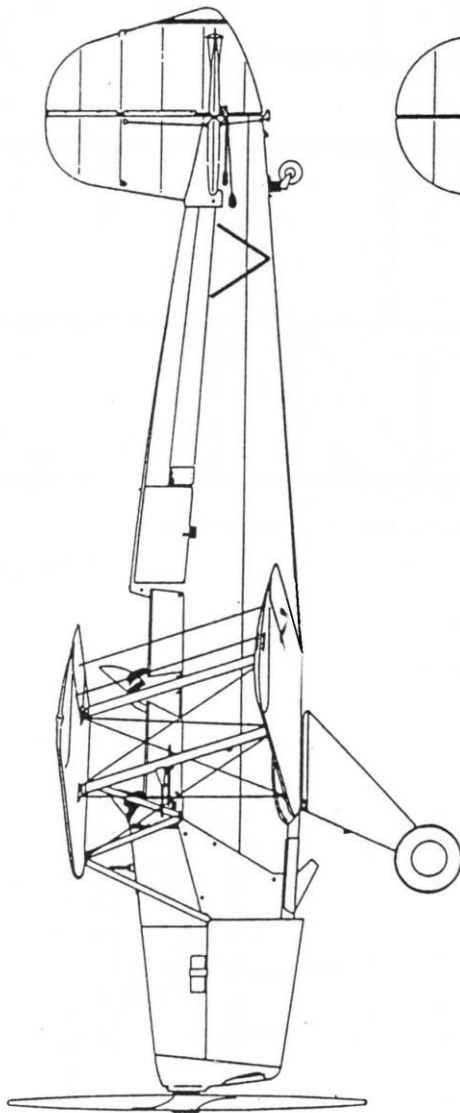


Envergure : 7,40 m
 Longueur : 6,62 m
 Surface : 13,5 m²
 Poids total : 670 kg
 Moteur : Hirt HM 504 105 ch
 Vitesse max. : 183 km/h



NOTE DIRECTION OF ROTATION



JUNGMANN

| | | |
|----------------|----------|------|
| FLUGSPORT | 14 NOV | 1934 |
| FLUGSPORT | 23 JUNE | 1937 |
| FLUGSPORT | 4 AUG | 1937 |
| FLUGSPORT | 16 FEB | 1938 |
| SPORTFLIEGEN | | 1935 |
| AIR PROGRESS | AUG/SEPT | 1963 |
| AIR PROGRESS | FEB/MAR | 1965 |
| SPORT AVIATION | | 1966 |



Jungmann

* WALTER MINOR ENGINE *
 DRAWN BY
 W. C. HANNAN