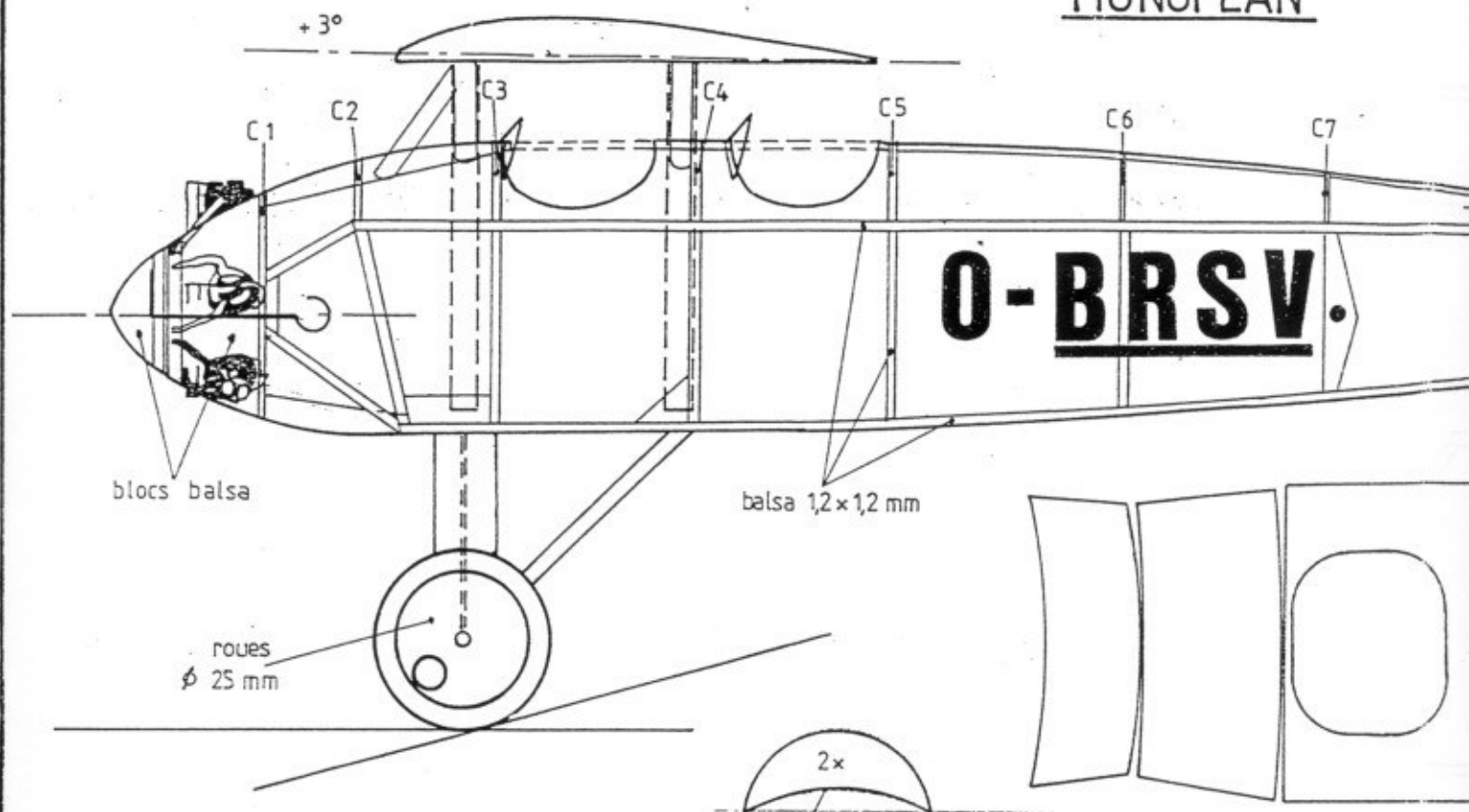


## MONOPLAN



## BIPLAN

