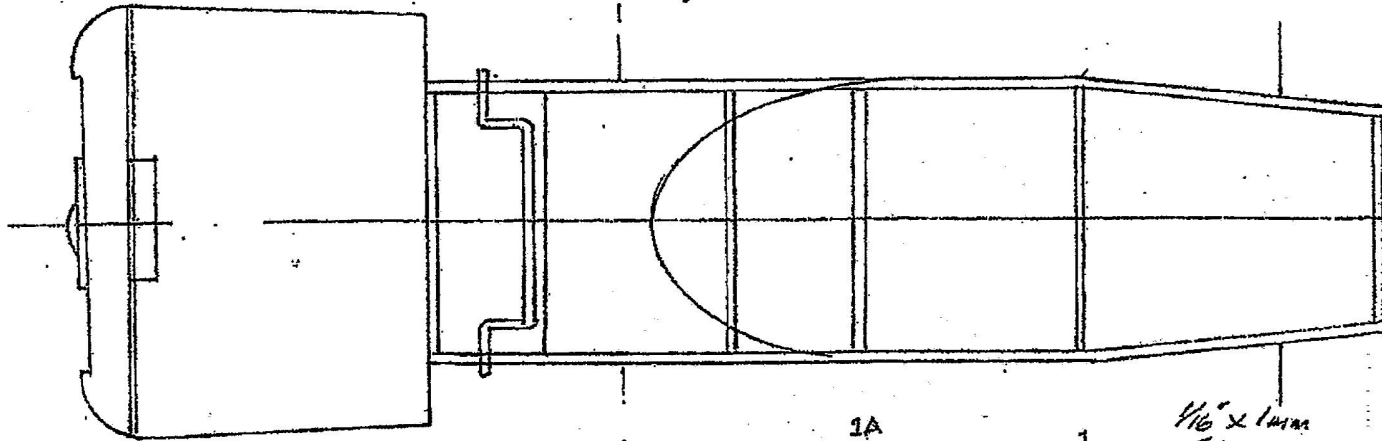
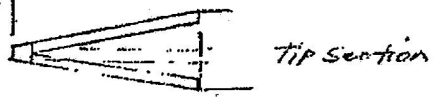


SPARS & R.E.
1/8" x 1/16"

L.E. 1/8" x 3/16"



1/16" x 1mm
Stringers

1A

1

ply face

1/16" sht

STRUTS

Single
Stringer

Fuselage Framework 1/16" sq.

DAWSON "PISTOL BALL"

Peanut Scale
Designed & Drawn by
LLOYD WILLIES © 1907

